

# LARGE CAN TYPE

# XP

Series

Screw Terminal, Wide Temperature Range

JAMICON®

- High temperature 105°C, high ripple current and high reliability.
- Long life for 5000 hours.



## ● SPECIFICATION

Item	Characteristic					
Operation Temperature Range	-40 ~ +105°C					
Rated Working Voltage	200 ~ 450VDC					
Capacitance Tolerance (120Hz 20°C)	±20%(M)					
Leakage Current (20°C)	$I \leq 0.02CV$ or 5 (mA) *Whichever is smaller after 5 minutes I : Leakage Current(μA) C : Rated Capacitance(μF) V : Working Voltage(V)					
Surge Voltage (20°C)	W.V.	200	250	350	400	450
	S.V.	250	300	400	450	500
Dissipation Factor (tan δ)(MAX) (120Hz 20°C)	W.V.	200	250	350	400	450
	tan δ	0.20	0.20	0.15	0.15	0.15
Low Temperature Stability	Impedance ratio at 120Hz					
	Rated Voltage (V)	200~450				
	-25°C / +20°C	8				
Load Life	After 5000 hours application of W.V. and +105°C ripple current value, the capacitor shall meet the following limits. (DC + ripple peak voltage ≤ rate working voltage)					
	Capacitance Change	≤ ±20% of initial value				
	Dissipation Factor	≤ 200% of initial specified value				
	Leakage current	≤ initial specified value				
Shelf Life	At +105°C no voltage application after 1000 hours, the capacitor shall meet the limits for load life characteristics. (with voltage treatment)					

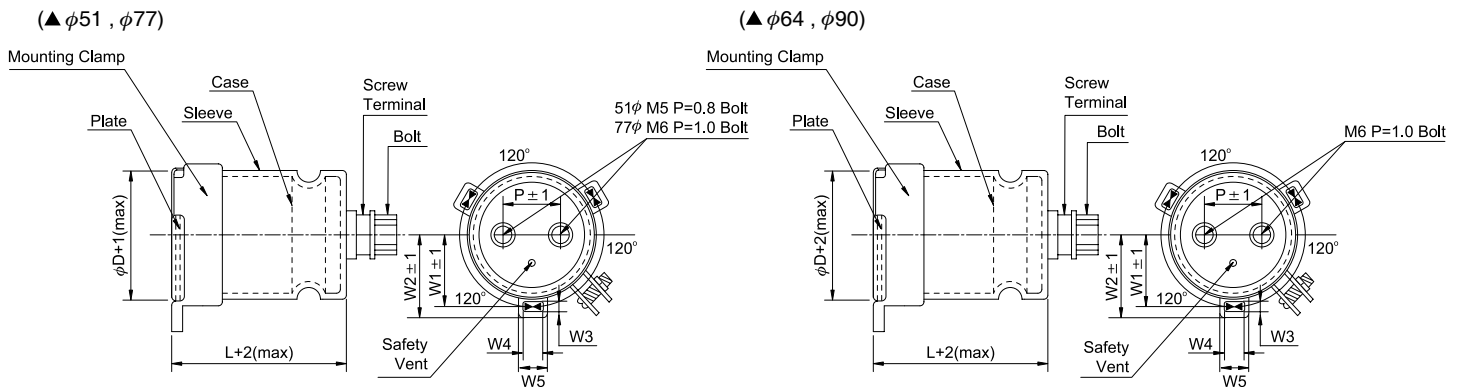
## ● TERMINAL TYPE

φD	W1	W2	W3	W4	W5	P
51	32.5	37.5	4.5	7.0	13.0	22.0
64	38.5	42.8	4.5	7.0	13.0	28.5
77	44.8	49.0	4.5	7.0	13.0	32.0
90	52.3	58.8	5.0	8.0	16.0	32.0

## ● RIPPLE CURRENT COEFFICIENTS

Frequency(Hz)	60	120	300	1k	≥10k
Multiplier	0.70	1.00	1.10	1.30	1.40

Temperature(°C)	40	60	85	105
Multiplier	2.44	2.16	2.00	1.00



● CASE SIZE & MAX RIPPLE CURRENT

Case size : D x L (mm)  
 Max ripple current : A(rms) 105°C 120Hz

µF	V(Code)		200 (2D)				250 (2E)				350 (2V)			
	Code	φD	51	64	77	90	51	64	77	90	51	64	77	90
680	681													
1000	102									75				
1200	122									3.06				
1500	152					80				75				
1800	182					2.41				3.35				
2200	222	80				100				96				
2700	272	2.92				3.21				4.17				
3300	332									96				
3900	392									6.00				
4700	472	100				100				115				
5600	562	3.94				4.47				7.18				
6800	682									130				
8200	822									8.24				
10000	103									155	115			
12000	123		100			121				9.79	8.95			
15000	153		5.13			5.80				195	130			
22000	223									11.87	10.30			
33000	333			121				121			155			
				6.71				7.15			12.27			
														157
														13.86
				121					145					157
				8.31					9.39					15.31
														196
														18.50
					144				171					236
					10.98				12.36					22.50
						145			236					
						11.40			17.30					
						236								L(mm)
						17.34								R.C.

µF	V(Code)		400 (2G)				450 (2W)				
	Code	φD	51	64	77	90	51	64	77	90	
1000	102		75				96				
1200	122		3.40				4.25				
1500	152		96				115				
1800	182		4.14				5.05				
2200	222		115				130				
2700	272		5.02				5.97				
3300	332		130							96	
3900	392		5.81							6.20	
4700	472		130	96						115	
5600	562		6.43	6.22						7.41	
6800	682									130	115
8200	822									8.67	8.69
10000	103									155	130
12000	123									10.37	10.14
										195	
					155	115				195	
				10.23	9.18					12.53	
											155
											13.07
											195
											157
											15.82
											14.89
						157					196
						14.73					18.10
						157					196
						16.17					19.88
						196					236
						19.70					23.88
						236					L(mm)
						23.48					R.C.